

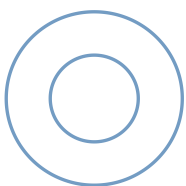
Get to Know about IGBT

Regenerative Test Equipment for Battery Packs

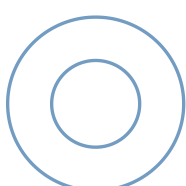


CE - 7000 (IGBT)				
Power	75kVA	150kVA	300kVA	600kVA
Voltage	60V - 1000V			
Current	100A - 1000A			

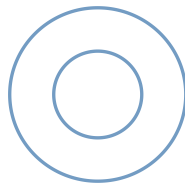
CE-7000 (IGBT), Electric Vehicle Testing System, known as a new generation testing system with both **high voltage and power output** capability, advanced **BMS CANBus** communication technique system, DBC supported and **simulation** function, which can fully fill power battery and energy storage battery testing requires.



Accuracy:
0.1%

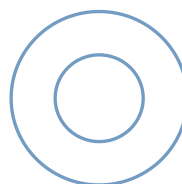


Simulation

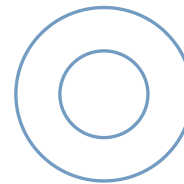


Response Time:
≤10ms

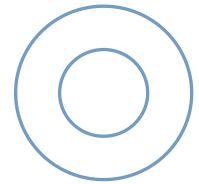
Data Acquisition Freq. :
10Hz



CANBus



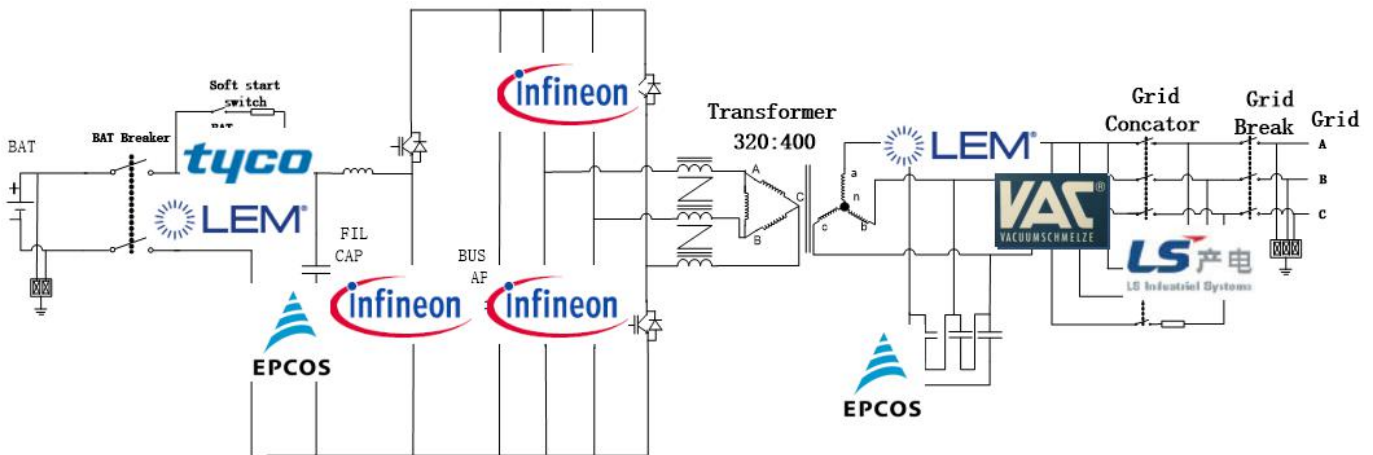
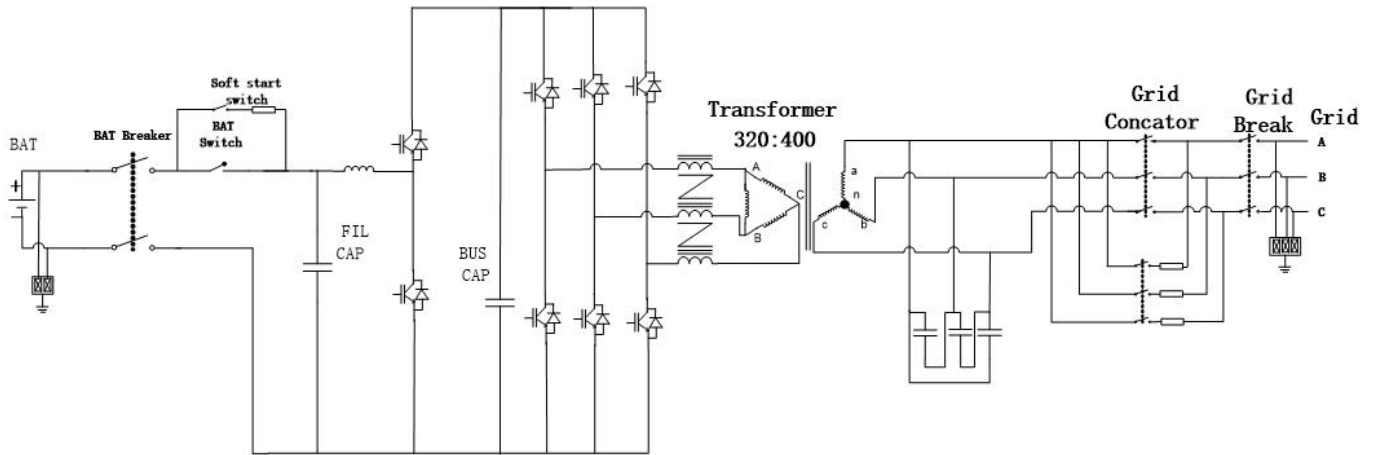
Min. Pluse Width:
500ms



Features and Applications

Category	Application and Specs
Driving simulation mode	up to 1 million lines of command
Test Application	Charge; Discharge; Driving simulation; Cycle-life; C-Rate;
Channel Programme	CCC(Constant Current Charging); CVC(Constant Voltage Charging); CC&CVC(Constant Current & Constant Voltage Charging); CPC(Constant Power Charging); CCD(Constant Current Discharging); CPD(Constant Power Discharging);
Voltage and Temperature Aux Channels	Available; Temperature Ranges: Accuracy: $\pm 1^{\circ}\text{C}$ Thermistor: $-30^{\circ}\text{C} - 120^{\circ}\text{C}$ Thermocouple: $-40^{\circ}\text{C} - 200^{\circ}\text{C}$ Voltage Ranges: $-20\text{V} - 20\text{V}$ Accuracy: $\pm 0.1\%$ of FS
DCIR	Available
Max. Regenerative Efficiency	$< 90\%$
Data Recording:	1Hz, 10H, 100Hz (Tailor-made) $\Delta t, \Delta v, \Delta I$ supported;
Resolution	AD: 16bit; DA: 16b

Structural Layout and Vendors



Heads-up:

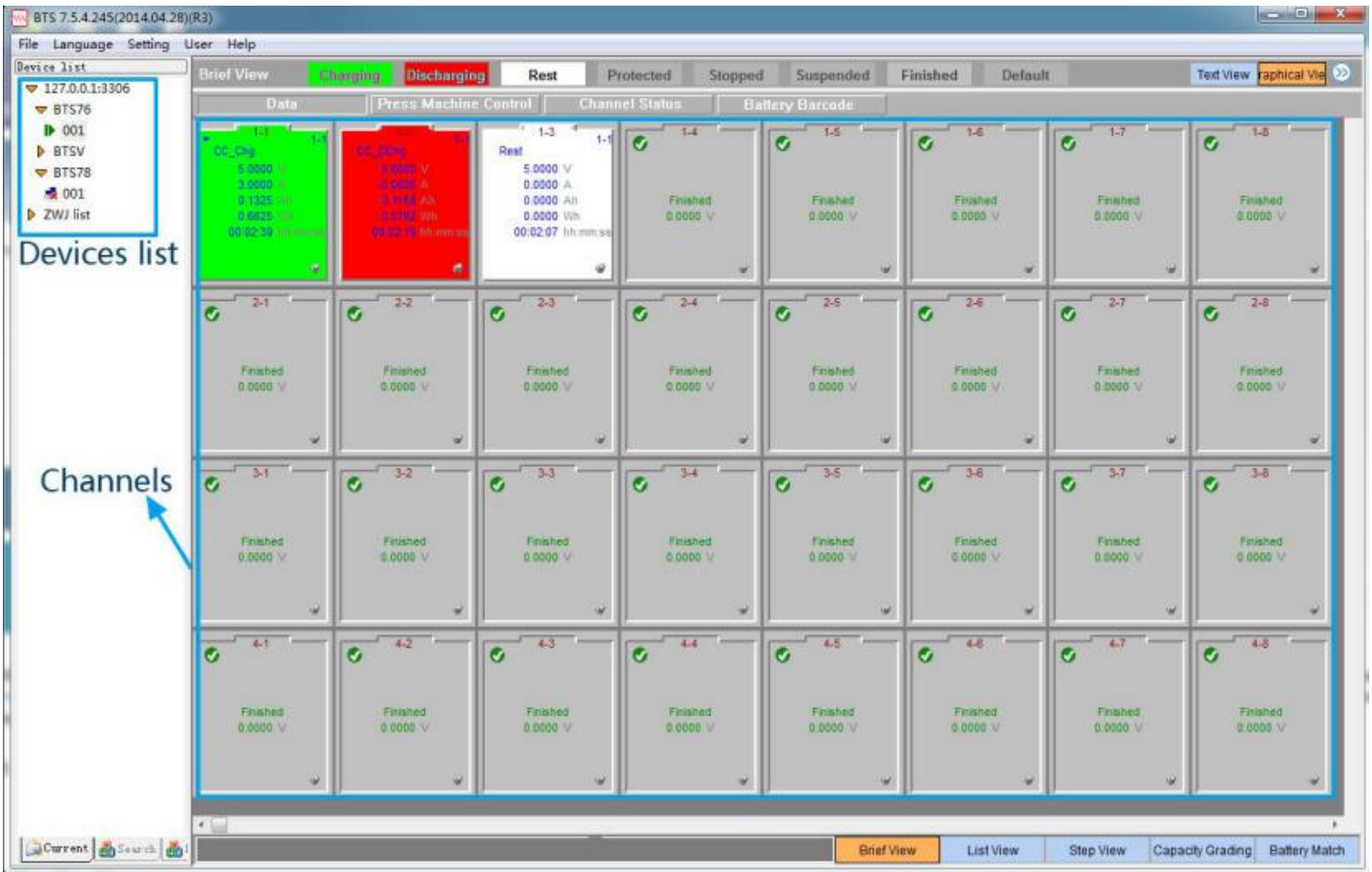
All the essential parts of Neware IGBT are from world-wide famous vendors: Infineon, TYCO, Lem, EPCOS, etc.

Neware IGBT Test Equipment on-site Working



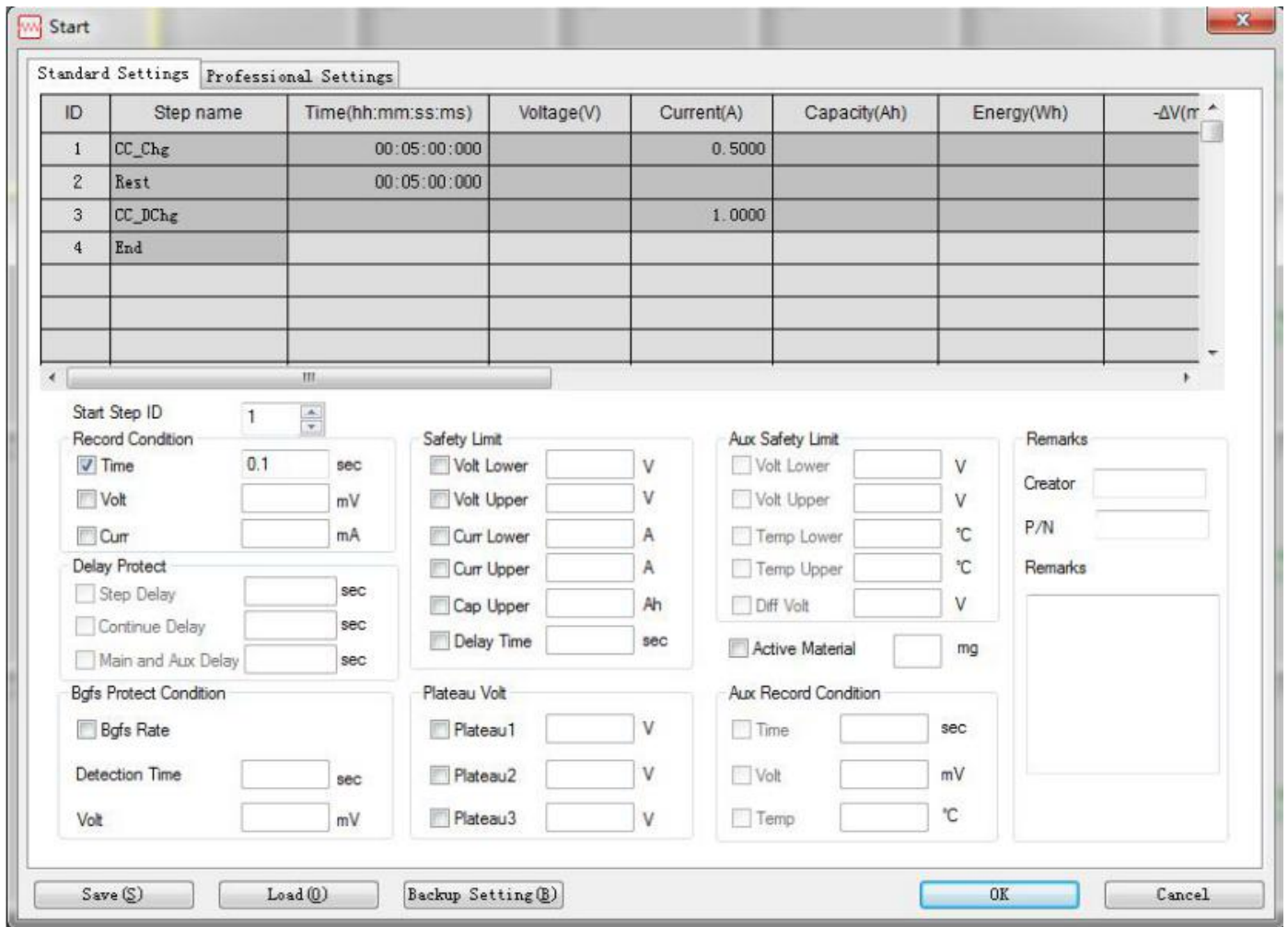
IGBT Software Interfaces and Results View

Neware IGBT shares the same software as Neware BTS4000 testers, the software is easy and intuitive to use. It's based on windows application and uses MySQL as the database. By using Neware software, customers can easily manage from 1 tester up to hundreds of testers. And there's also a free BTSDA software for users to view the testing result both in plain text and graph/plot.



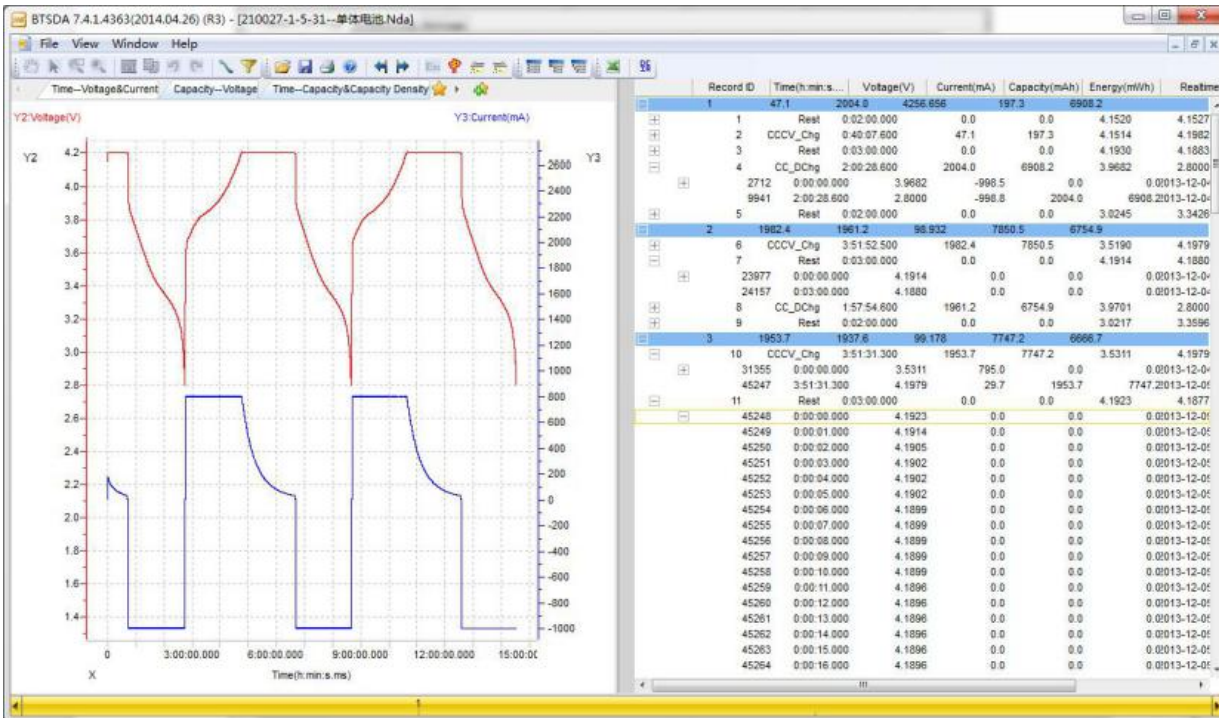
Main window of the software:

Easily to operate(start up,pause,stop tests) and manage all devices and channels in graphic UI.



Testing steps editor window:

Supports various testing steps and supports loading testing samples.



Data and curve view window:

Easily to zoom in/out and export to other data formats.

Popular Mode

CE - 7000

100V100A	100V150A	100V200A	100V300A	100V400A	100V500A	120V50A
120V300A	150V150A	150V200A	150V300A	200V100A	200V10A	200V200A
200V400A	200V600A	300V100A	400V100A	400V200A	400V300A	500V100A
500V100A	500V200A	500V300A	500V400A	500V500A	600V100A	600V200A
60V200A	60V300A	60V500A	750V100A	800V100A	750V200A	750V300A
900V200A	1000V100A	1000V200A	1000V300A	900V300A	900V400A	

For More Information: <http://www.newarebattery.com/>



ISO9001:2018(Reg. No.: 0409035)